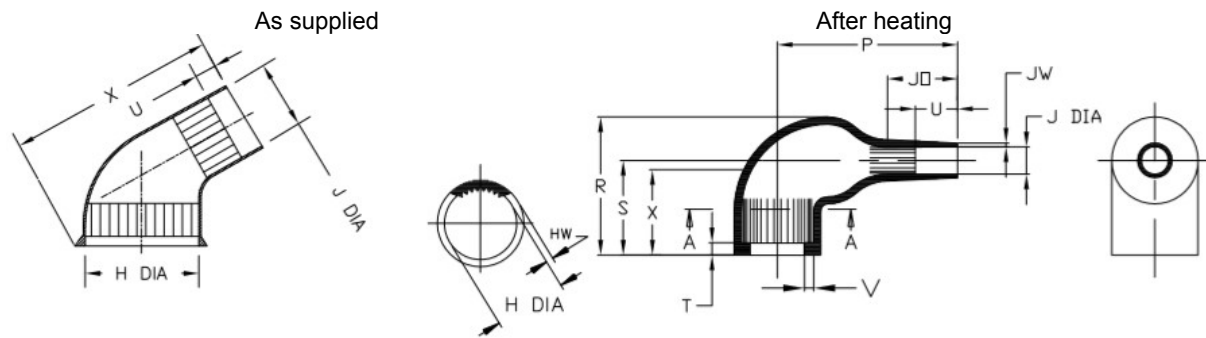


### Moulded Parts 222S121 to 222S174 (shielded, right angled boot, lipped)

These shielded moulded parts or heat shrink boots are used for mechanical protection and cable strain relief. This version offers screening capability and enhanced EMI performance. Our moulded parts combine an easy and quick installation with high electric strength, mechanical toughness and chemical and environmental resistance. These moulded parts are available with or without coating.



#### Dimensions for material code -25C

| Part number   | H                 | J    | U    | H             | J    | U    | P    | R    | S    | T   | X      | HW      | JW  |
|---------------|-------------------|------|------|---------------|------|------|------|------|------|-----|--------|---------|-----|
|               | As supplied       |      |      | After heating |      |      |      |      |      |     |        |         |     |
|               | Tolerance +/- 10% |      |      |               |      |      |      |      |      |     | +/- 5% | +/- 30% |     |
| 222S121-25C-0 | 20.0              | 11.0 | 5.0  | 10.4          | 5.0  | 10.0 | 30.0 | 25.0 | 19.0 | 1.0 | 45.0   | 3.0     | 1.0 |
| 222S132-25C-0 | 24.0              | 15.0 | 5.0  | 14.2          | 6.0  | 10.0 | 38.0 | 28.0 | 20.0 | 1.0 | 54.0   | 3.0     | 1.0 |
| 222S142-25C-0 | 31.0              | 18.0 | 6.0  | 18.0          | 7.2  | 10.0 | 42.0 | 31.0 | 21.0 | 1.0 | 63.0   | 3.0     | 1.0 |
| 222S152-25C-0 | 36.0              | 22.0 | 7.0  | 22.4          | 8.5  | 12.0 | 51.0 | 38.0 | 26.0 | 1.0 | 70.0   | 3.0     | 1.0 |
| 222S163-25C-0 | 43.0              | 26.0 | 12.0 | 28.2          | 10.0 | 20.0 | 67.0 | 45.0 | 30.0 | 1.7 | 90.0   | 3.0     | 1.5 |
| 222S174-25C-0 | 47.0              | 36.0 | 12.0 | 35.1          | 15.8 | 20.0 | 80.0 | 54.0 | 36.0 | 1.7 | 112.0  | 3.0     | 1.5 |

#### Dimensions for material code -100C

| Part number    | H                 | J    | U    | H             | J    | U    | P    | R    | S    | T   | X       | HW  | JW  |
|----------------|-------------------|------|------|---------------|------|------|------|------|------|-----|---------|-----|-----|
|                | As supplied       |      |      | After heating |      |      |      |      |      |     |         |     |     |
|                | Tolerance +/- 10% |      |      |               |      |      |      |      |      |     | +/- 20% |     |     |
| 222S121-100C-0 | 14.0              | 10.0 | 5.0  | 10.4          | 5.0  | 10.0 | 30.0 | 25.0 | 19.0 | 3.0 | 47.0    | 1.5 | 1.0 |
| 222S132-100C-0 | 20.0              | 12.0 | 5.0  | 14.2          | 6.0  | 10.0 | 38.0 | 28.0 | 20.0 | 3.0 | 57.0    | 1.5 | 1.0 |
| 222S142-100C-0 | 26.0              | 14.0 | 6.0  | 18.0          | 7.2  | 10.0 | 42.0 | 31.0 | 21.0 | 3.0 | 64.0    | 2.0 | 1.0 |
| 222S152-100C-0 | 31.0              | 20.0 | 7.0  | 22.4          | 8.5  | 12.0 | 51.0 | 38.0 | 26.0 | 3.0 | 76.0    | 2.0 | 1.0 |
| 222S163-100C-0 | 38.0              | 24.0 | 12.0 | 28.2          | 10.0 | 20.0 | 67.0 | 45.0 | 30.0 | 3.0 | 92.0    | 2.2 | 1.5 |
| 222S174-100C-0 | 41.0              | 32.0 | 12.0 | 35.1          | 15.8 | 20.0 | 80.0 | 54.0 | 36.0 | 3.0 | 111.0   | 3.0 | 1.5 |

#### Material

| Ordering Code | Material  | Operating temperature range |
|---------------|---|-----------------------------|
| -25C          | Elastomer (VG95343 pt20. Pt22)                    | -55°C to +150°C             |
| -100C         | Halogen free Rayaten (VG95343 NES 711, 713 + 715) | -30°C to +105°C             |

#### Colour

| Ordering Code | Colour |
|---------------|--------|
| -0            | Black  |